

PLEASE CHECK WWW.MOLEX.COM FOR LATEST PART INFORMATION

Part Number: [0702461402](#)
Status: **Active**
Overview: [cgrid_sl_products](#)
Description: 2.54mm (.100") Pitch C-Grid® Header, Low Profile, Dual Row, Vertical, Shrouded, 14 Circuits, 0.76µm (30µ") Gold (Au) Selective Plating, Tin (Sn) PC Tail Plating

Documents:

[3D Model](#) [RoHS Certificate of Compliance \(PDF\)](#)
[Drawing \(PDF\)](#)

Agency Certification

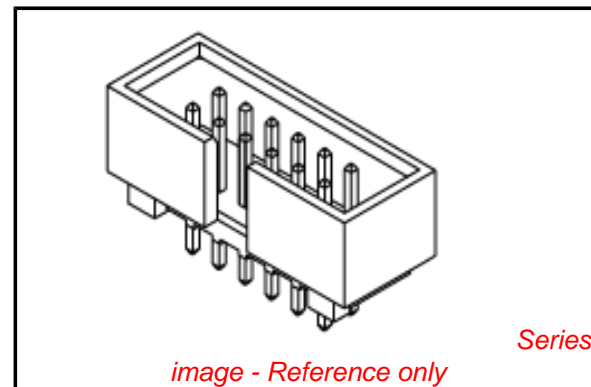
CSA LR19980
 UL E29179

General

Product Family PCB Headers
 Series [70246](#)
 Application Wire-to-Board
 Overview [cgrid_sl_products](#)
 Product Name C-Grid®

Physical

Breakaway No
 Circuits (Loaded) 14
 Circuits (maximum) 14
 First Mate / Last Break No
 Flammability 94V-0
 Glow-Wire Compliant No
 Guide to Mating Part No
 Keying to Mating Part None
 Lock to Mating Part None
 Material - Plating Mating Gold
 Material - Plating Termination Tin
 Number of Rows 2
 Orientation Vertical
 PC Tail Length (in) 0.135 In
 PC Tail Length (mm) 3.43 mm
 PCB Locator No
 PCB Retention None
 PCB Thickness Recommended (in) 0.062 In
 PCB Thickness Recommended (mm) 1.60 mm
 Packaging Type Tray
 Pitch - Mating Interface (in) 0.100 In
 Pitch - Mating Interface (mm) 2.54 mm
 Pitch - Term. Interface (in) 0.100 In
 Pitch - Term. Interface (mm) 2.54 mm
 Plating min: Mating (µin) 30
 Plating min: Mating (µm) 0.75
 Plating min: Termination (µin) 75.2
 Plating min: Termination (µm) 1.88
 Polarized to Mating Part Center Slot
 Polarized to PCB No
 Shrouded Fully
 Stackable No
 Surface Mount Compatible (SMC) No
 Temperature Range - Operating -55°C to +120°C



EU RoHS

ELV and RoHS Compliant
REACH SVHC Contains SVHC: No
Halogen-Free Status

China RoHS



Not Halogen-Free
Need more information on product environmental compliance?

Email productcompliance@molex.com
 For a multiple part number RoHS Certificate of Compliance, [click here](#)

Please visit the [Contact Us](#) section for any non-product compliance questions.

Search Parts in this Series

[70246Series](#)

Mates With

[70450 SL™](#) Crimp Housing, [70058 SL™](#) Crimp Terminal

Termination Interface: Style Through Hole

Electrical

Current - Maximum per Contact 2.5A
Voltage - Maximum 250V DC

Solder Process Data

Duration at Max. Process Temperature (seconds) 10
Lead-free Process Capability Wave Capable (TH only)
Max. Cycles at Max. Process Temperature 1
Process Temperature max. C 265

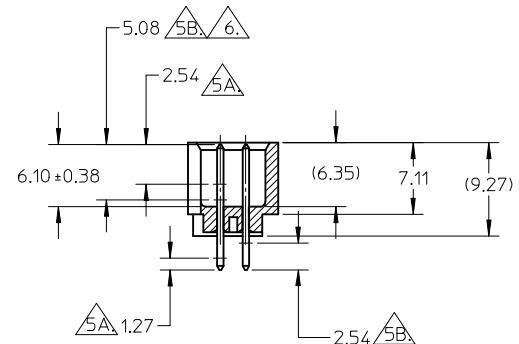
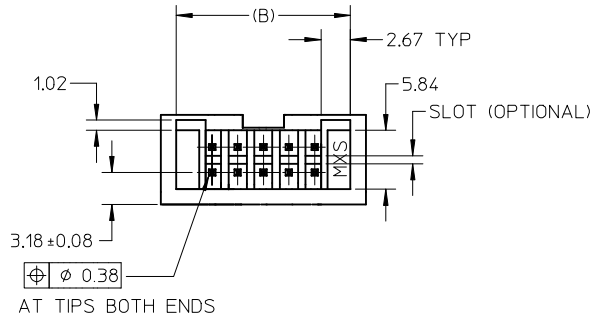
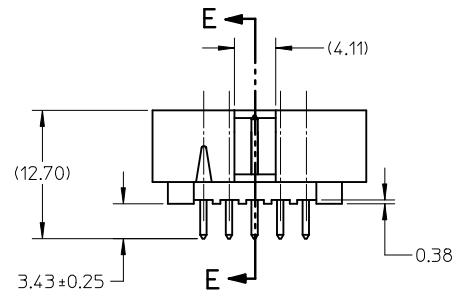
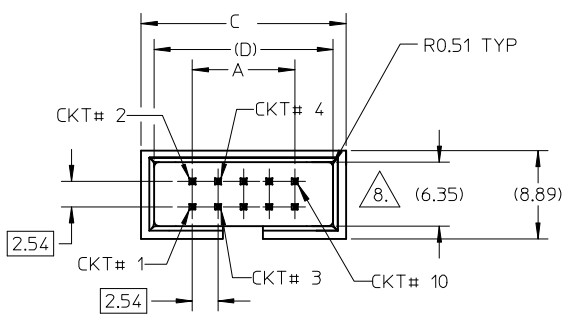
Material Info

Reference - Drawing Numbers

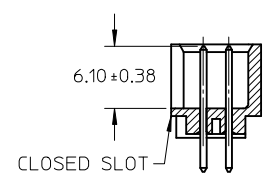
Packaging Specification PK-87835-001
Sales Drawing SDA-70246-**20-25,39

This document was generated on 05/25/2010

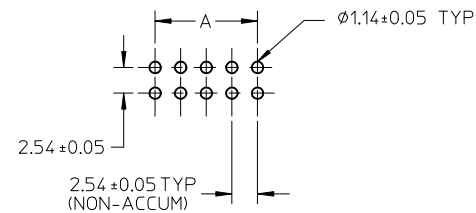
PLEASE CHECK WWW.MOLEX.COM FOR LATEST PART INFORMATION



SECTION E-E



MOLEX IRELAND PRODUCTION ONLY (OPTION)



RECOMMENDED PCB HOLE LAYOUT

NOTES:

1. PIN PUSHOUT FORCE (.9072KG)/2LBS MIN.
2. PIN SOLDERABILITY PER MOLEX SPEC. ES-152.
3. PRODUCT SPEC: PS-70246 APPLIES.
4. WAFER TO BE FLAT WITHIN .003 MM/MM.
5. DIMENSIONS FOR PLATING LOCATION:
 - 5A MEASURE POINT FOR THICKNESS
 - 5B MINIMUM COVERAGE
 - 6. GOLD END OF PIN UNLESS OVERALL PLATED.
7. FINISH:
 - 571 : 15 MICRO INCHES MIN GOLD PLATE ON CONTACT AND 75 MICRO INCHES MIN TIN PLATE ON SOLDER TAIL BOTH OVER 50 MICRO INCHES MIN NICKEL OVERALL.
 - 574 : 30 MICRO INCHES MIN GOLD PLATE ON CONTACT AND 75 MICRO INCHES MIN TIN PLATE ON SOLDER TAIL BOTH OVER 50 MICRO INCHES MIN NICKEL OVERALL.
 - 544 : 5 MICRO INCHES MIN GOLD PLATE ON CONTACT AND 75 MICRO INCHES MIN TIN PLATE ON SOLDER TAIL BOTH OVER 50 MICRO INCHES MIN NICKEL OVERALL.
 - 573 : 20 MICRO INCHES MIN GOLD PLATE ON CONTACT AND 100 MICRO INCHES MIN TIN PLATE ON SOLDER TAIL BOTH OVER 50 MICRO INCHES MIN NICKEL OVERALL.
8. DIM AT THE CENTRE OF THE SHROUDED WALL SHALL BE 5.91MM MIN. THIS SPEC IS VALID FOR ALL CKT SIZE.
9. MATERIAL:
 - HSG: GLASS FILLED PBT, UL94V-0, COLOUR BLACK
 - PIN: 0.64MM SQ. PIN PHOSPHOR BRONZE.

CHANGES TO VOID CKT FOR P/N(70246-1003) EC NO: S2010-0052 DRWN: YMCHONG 2009/07/24 CHYK: ATSEE 2009/07/28 APPR: MLONG 2009/07/29	QUALITY SYMBOLS	GENERAL TOLERANCES (UNLESS SPECIFIED)	DIMENSION STYLE	SCALE	DESIGN UNITS	THIRD ANGLE PROJECTION
	▼=0 C=0	mm INCH 4 PLACES ± --- ± --- 3 PLACES ± --- ± --- 2 PLACES ± 0.20 ± --- 1 PLACE ± --- ± --- ANGULAR ± 3 °	MM ONLY	NTS	METRIC	
	DESCRIPTION	DRAFT WHERE APPLICABLE MUST REMAIN WITHIN DIMENSIONS	DRAWN BY	DATE	TITLE	C-GRID, SHROUDED HEADER (SLOTTED W/O STANDOFFS) MOLEX INCORPORATED
	REV		JENNIFER	1987/09/18	SEE TABLE	
			CHECKED BY	DATE	DOCUMENT NO.	SHEET NO.
			RWONG	1987/09/18	SDA-70246-***20-25,39-41	1 OF 2
			APPROVED BY	DATE	THIS DRAWING CONTAINS INFORMATION THAT IS PROPRIETARY TO MOLEX INCORPORATED AND SHOULD NOT BE USED WITHOUT WRITTEN PERMISSION	
			ALANB	1987/09/18		
			MATERIAL NO.	DATE		
			SIZE	DATE		
			A3	DATE		

	10	9	8	7	6	5	4	3	2	1
	PART NUMBER	CKT SIZE	VOID CKT	DIM A	DIM B	DIM C	DIM D	VOID CKT, ONLY APPLY TO PLATING CODE		
F	70246-08**	08	-	7.62	14.73	17.78	15.24	-		
	70246-10**	10	-	10.16	17.27	20.32	17.78	-		
	70246-12**	12	-	12.70	19.81	22.86	20.32	-		
	70246-14**	14	-	15.24	22.35	25.40	22.86	-		
	70246-16**	16	-	17.78	24.89	27.94	25.40	-		
	70246-20**	20	-	22.86	29.97	33.02	30.48	-		
	70246-24**	24	-	27.94	35.05	38.10	35.56	-		
	70246-26**	26	-	30.48	37.59	40.64	38.10	-		
E	70246-30**	30	-	35.56	42.67	45.72	43.18	-		
	70246-34**	34	-	40.64	47.75	50.80	48.26	-		
	70246-40**	40	-	48.26	55.37	58.42	55.88	-		
	70246-44**	44	-	53.34	60.45	63.50	60.96	-		
	70246-50**	50	-	60.96	68.07	71.12	68.58	-		
	70246-56**	56	-	68.58	75.69	78.74	76.20	-		
	70246-60**	60	-	73.66	80.77	83.82	81.28	-		
	70246-64**	64	-	78.74	85.85	88.90	86.36	-		
D	70246-72**	72	-	88.90	96.01	99.06	96.52	-		
	70246-25**	26	26	30.48	37.59	40.64	38.10	-		
	70246-1003	10	10	10.16	17.27	20.32	17.78	571		

LEGEND:

70246 - * * * * *

CKT SIZE

PLATING OPT.

SEE TABLE FOR DETAIL

△ PART NUMBER	PLATING OPTION
70246-**-01	571
70246-**-02	574
70246-**-04	544
70246-**-12	573

CHANGES TO VOID CKT FOR P/N(70246-1003) EC NO: S2010-0052 DRWN: YMCHEONG 2009/07/24 CHKD: ATSEE 2009/07/28 APPR: MLONG 2009/07/29	QUALITY SYMBOLS	GENERAL TOLERANCES (UNLESS SPECIFIED)		DIMENSION STYLE MM ONLY		SCALE NTS	DESIGN UNITS METRIC	THIRD ANGLE PROJECTION	
	▽=0 ∇=0	4 PLACES	mm	INCH	DRAWN BY JENNIFER	DATE 1987/09/18	TITLE C-GRID, SHROUDED HEADER (SLOTTED W/O STANDOFFS)		
		3 PLACES	± ---	± ---	CHECKED BY RWONG	DATE 1987/09/18	MATERIAL NO. SDA-70246-**-20-25,39-41		
		2 PLACES	± 0.20	± ---	APPROVED BY ALANB	DATE 1987/09/18	DOCUMENT NO. SDA-70246-**-20-25,39-41		
	1 PLACE	± ---	± ---	ANGULAR ± 3 °		SHEET NO. 2 OF 2		DRAFT WHERE APPLICABLE MUST REMAIN WITHIN DIMENSIONS	
J2	REV	SIZE A3		THIS DRAWING CONTAINS INFORMATION THAT IS PROPRIETARY TO MOLEX INCORPORATED AND SHOULD NOT BE USED WITHOUT WRITTEN PERMISSION					